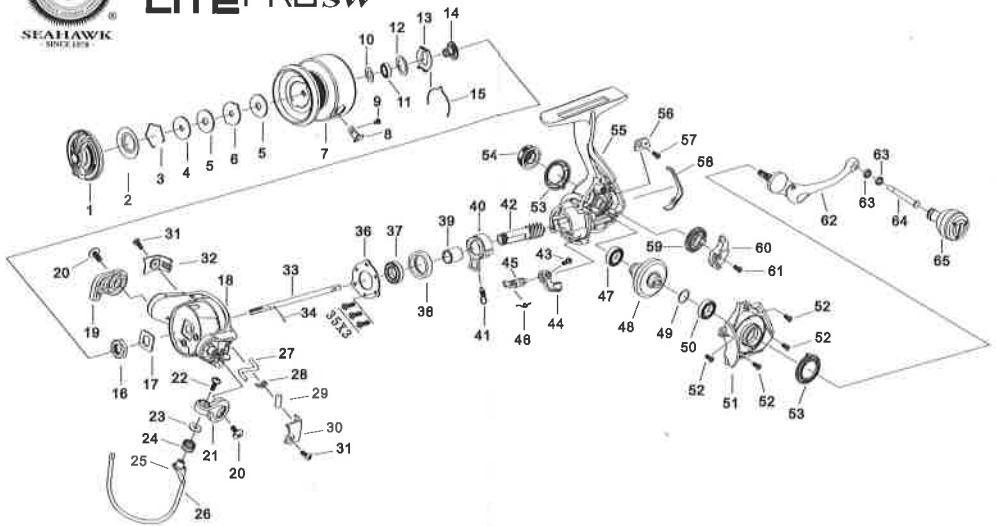




SEAHAWK® LITE PRO SW



- | | | |
|----------------------|----------------------------|---------------------------|
| 1, Ornament Knob | 23, Roller Washer | 45, Anti-reverse Bolt |
| 2, Rubber Ring | 24, Roller Bearing | 46, Spring |
| 3, Spool Stop Ring | 25, Bail Nut | 47, Ball Bearing |
| 4, Key Washer | 26, Bail ASSY | 48, Drive Gear |
| 5, Drag Washer | 27, Bail Button Pole | 49, Drive Gear Washer |
| 6, Eared Washer | 28, Bail Arm Lever | 50, Ball Bearing |
| 7, Spool | 29, Bail Arm Spring | 51, Body Cover |
| 8, Line Hook | 30, Bail Arm Side Cover | 52, Screw |
| 9, Screw | 31, Screw | 53, Ornament Body |
| 10, Rotor Retainer | 32, Bail Arm Side Cover | 54, Handle Cap |
| 11, Ball Bearing | 33, Main Shaft | 55, Body |
| 12, Bearing Retainer | 34, Main Pin | 56, Slider Retainer Plate |
| 13, Click Fixed Seat | 35, Screw | 57, Screw |
| 14, Washer | 36, Retainer | 58, Ornament Body |
| 15, Click | 37, Ball Bearing | 59, Gear |
| 16, Rotor Nut | 38, Bearing Bushing | 60, Slider |
| 17, Rotor Retainer | 39, Bearing Inner Ring | 61, Screw |
| 18, Rotor | 40, One Way Clutch Bearing | 62, Handle |
| 19, Bail Holder | 41, Bearing Spring | 63, Ball Bearing |
| 20, Screw | 42, Pinion Gear | 64, Handle Tube |
| 21, Bail Arm | 43, Screw | 65, CNC Knob |
| 22, Screw | 44, Anti-reverse Lever | |